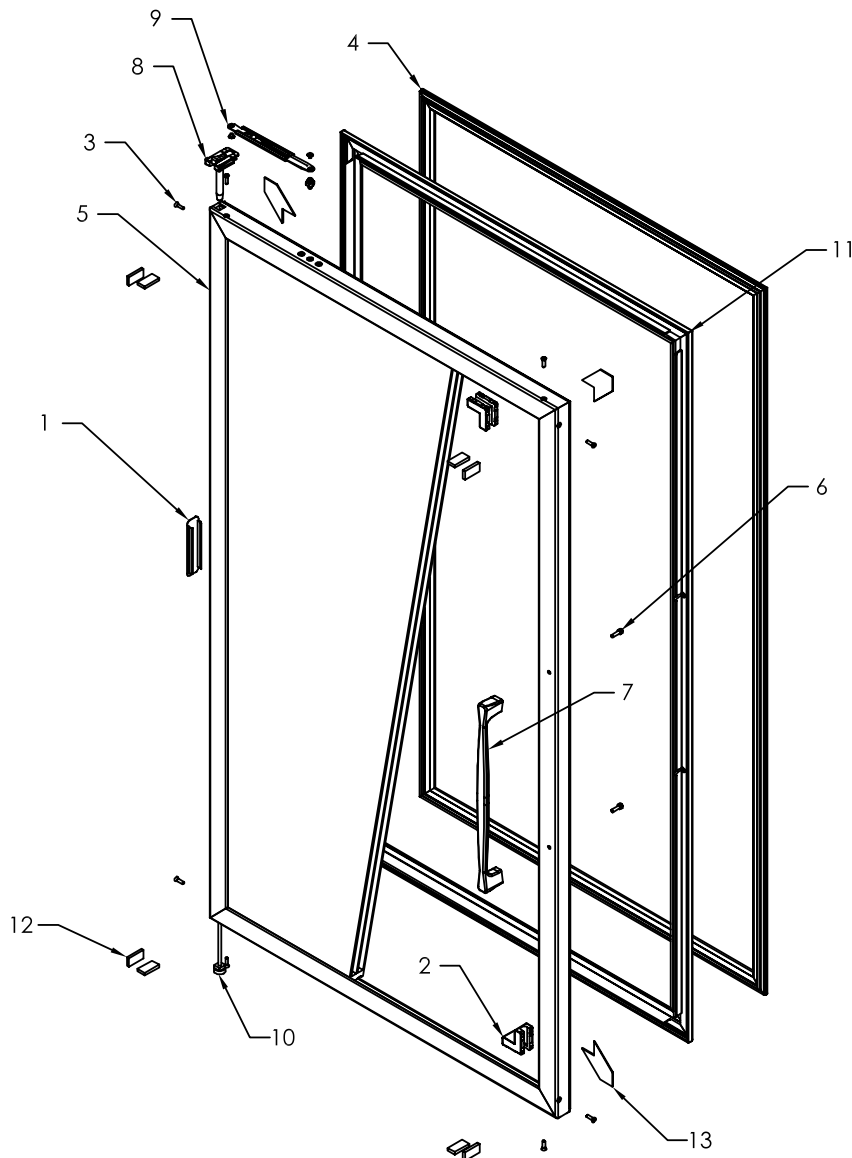


SECTION K

DOOR PARTS

K



- 1: Access Hole Cover
- 2: Corner Piece
- 3: Corner Piece Screw
- 4: Door Gasket
- 5: Door Rail
- 6: Handle Screw
- 7: Handle
- 8: Hinge Pin
- 9: Hold Open
- 10: Torque Rod
- 11: Vinyl Door Cover
- 12: Setting Blocks
- 13: Foam Tape

K

ACCESS HOLE COVER



Black
K1 Item No: 20-12294-0001
 Price \$2.57 each
Gold
K2 Item No: 20-12294-0002
 Price \$2.57 each
Silver
K3 Item No: 20-12294-0003
 Price \$2.57 each

CORNER PIECE

WIDE OR NARROW



K4 Item No: 11-11969-0001
 Price \$4.68 each

DOOR GASKET

*AIRCELL
 JULY 1998 TO PRESENT*



1 1/8" Wide
Gray
K5 Item No: 20-12495-3513
 Price \$10.54 per foot
Black
K6 Item No: 20-14160-0000
 Price \$10.54 per foot

CORNER PIECE SCREW



Silver
K7 Item No: 40-12288-1008
 Price \$2.25 each
Gold
K8 Item No: 40-12288-2008
 Price \$2.25 each
Black
K9 Item No: 40-12288-3008
 Price \$2.25 each

HANDLE SCREW



K10 Item No: 40-10946-7008
 Price \$2.29 each

ELM DOOR PLASTIC



K11 Item No: 20-14043-1013
 Price \$ 6.10 per foot

HANDLE - SLIMLINE



Chrome
K14 Item No: 45-11876-0002
 Price \$40.43 each
Gold
K15 Item No: 45-11876-0003
 Price \$81.84 each

Black
K16 Item No: 45-11876-0004
 Price \$79.28 each
Satin Silver
K17 Item No: 45-11876-0005
 Price \$79.28 each

DOOR HEATER WIRE
LT & NT



K18 Item No: 50-10632-0001
 Price \$4.23 per foot

HINGE PIN

WITH LEADS



Black
K19 Item No: 60-10847-0004
 Price \$43.84 each
Silver
K20 Item No: 60-10847-0003
 Price \$43.84 each

HINGE PIN

WITHOUT LEADS



Black
K21 Item No: 60-10848-0002
 Price \$43.84 each
Silver
K22 Item No: 60-10848-0001
 Price \$43.84 each

TORQUE ROD

*BEGINNING 1989
 TO PRESENT*



Hex

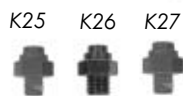
Hex Base
K23 Item No: 02-10308-0007
 Price \$32.96 each

**HOLD OPEN ARM
 AND HARDWARE**

1995 TO PRESENT



K24



K25 K26 K27



K28

Hold Open Arm
K24 Item No: 02-11807-0001
 Price \$33.36 each
Standard Standoff - 1/4" x 28
K25 Item No: 40-12130-0001
 Price \$3.74 each
Oversize Standoff - 5/16" x 24
K26 Item No: 40-11246-0001
 Price \$4.38 each
Model 2100 Only Standoff
K27 Item No: 40-13181-0001
 Price \$3.74 each
Screw
K28 Item No: 40-11248-3002
 Price \$1.75 each

Lock
FLUSH MOUNT



Lock and Keys

K29 Item No: 40-12013-0001

Price \$77.16 each

Keys Only

K30 Item No: 40-12598-0001

Price \$9.91 each

Full Length Handle Key

K31 Item No: 40-12989-0001

Price \$18.65 each

POM Lock

BEGINNING JANUARY 1987



POM Lock for 2100 Only

K32 Item No: 02-11585-0002

Price \$46.75 each

POM Lock

K33 Item No: 02-11585-0003

Price \$50.01 each

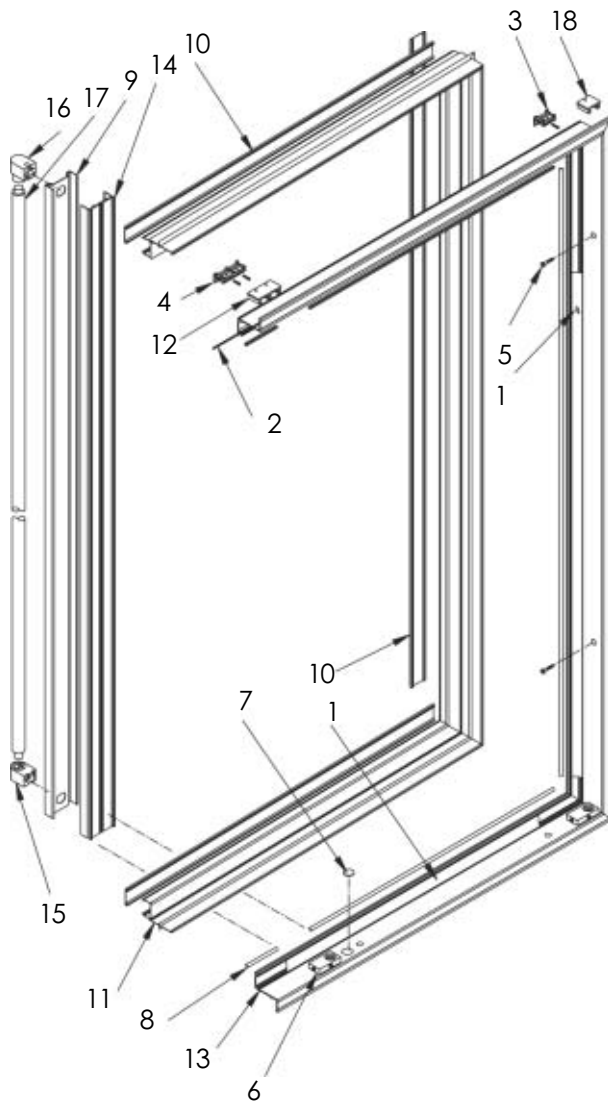
K

K

SECTION K

FRAME PARTS

K



- 1: Contact Plate
- 2: Electrical Heater Wire
- 3: Electrical Hinge Pin Receptical (Single)
- 4: Electrical Hinge Pin Receptical (Double)
- 5: Frame Screw (Installation)
- 6: Torque Master
- 7: Torque Master Hole Plug
- 8: Vinyl Contact Plate Retainer
- 9: Vinyl Mullion Cover
- 10: Vinyl Raceway Cover
- 11: Vinyl Raceway Frame Cover
(Non-Replaceable)
- 12: Double Station GIB
(Non-Replaceable)
- 13: Frame Extrusion
(Non-Replaceable)
- 14: Frame Mullion
(Non-Replaceable)
- 15: Lamp Socket
(Bottom-Refer to Section J/Lighting)
- 16: Lamp Socket
(Top-Refer to Section J/Lighting)
- 17: Light Bulb
(Refer to Section J/Lighting)
- 18: Single Station GIB
(Non-Replaceable)

K

CONTACT PLATE

CENTER MULLION



Silver
K34 Item No: 15-12520-1016
 Price \$21.03 per foot
Black
K35 Item No: 15-12520-2016
 Price \$21.03 per foot
Black PW
K36 Item No: 15-12520-2034
 Price \$21.69 per foot
Walnut
K37 Item No: 15-12520-3016
 Price \$21.03 per foot

CONTACT PLATE

END



Silver
K38 Item No: 15-12520-1007
 Price \$10.01 per foot
Black
K39 Item No: 15-12520-2007
 Price \$10.01 per foot
Walnut
K40 Item No: 15-12520-3007
 Price \$10.01 per foot

**ELECTRICAL FAN
 DELAY SWITCH**

1999 TO PRESENT



K41 Item No: 60-12259-0001
 Price \$46.12 each

**ELECTRICAL
 HEATER WIRE**

LT & NT



K42 Item No: 50-10632-0000
 Price \$4.23 per foot

**ELECTRICAL HINGE
 PIN RECEPTACLE**

DOUBLE/REVERSIBLE



K43 Item No: 60-12377-0001
 Price \$11.10 each

**ELECTRICAL HINGE
 PIN RECEPTACLE**

SINGLE/REVERSIBLE



Left
K44 Item No: 60-12376-0001
 Price \$8.82 each
Right
K45 Item No: 60-12376-0002
 Price \$8.82 each

**ELECTRICAL
 ROCKER SWITCH**



Small
 $\frac{3}{4}$ " x $\frac{1}{4}$ "

Small
K46 Item No: 60-12486-0001
 Price \$15.76 each
Small 220V
K47 Item No: 60-13104-0002
 Price \$15.76 each

FRAME SCREW

INSTALLATION



Silver
K48 Item No: 40-10993-1014
 Price \$2.26 each
Black
K49 Item No: 40-10993-3014
 Price \$2.26 each
Gold
K50 Item No: 40-10993-4014
 Price \$2.26 each

FRAME SEX BOLT



Silver
K51 Item No: 40-11132-1006
K52 Item No: 40-11065-1006
 Price \$3.93 per set
Gold
K53 Item No: 40-11132-2006
K54 Item No: 40-11065-2006
 Price \$3.93 per set
Black
K55 Item No: 40-11132-3006
K56 Item No: 40-11065-3006
 Price \$3.93 per set

HINGE PIN FILLER PLUG



K57 Item No: 20-11314-0001
 Price \$2.26 each

JOINING STRIP - HALF



Black
K58 Item No: 11-11787-6937
 Price \$5.61 per foot
Gold
K59 Item No: 11-11787-3037
 Price \$5.61 per foot
Silver
K60 Item No: 11-11787-2037
 Price \$5.61 per foot
Satin
K61 Item No: 11-11787-4037
 Price \$5.61 per foot

JOINING STRIP - FULL



Black
K62 Item No: 11-10804-6024
 Price \$8.04 per foot
Gold
K63 Item No: 11-10804-3024
 Price \$8.04 per foot
Silver
K64 Item No: 11-10804-2024
 Price \$8.04 per foot
Satin
K65 Item No: 11-10804-4024
 Price \$8.04 per foot

POM RETROFIT KIT



K66 Item No: 11-14034-0001
Price \$52.08 each

RACEWAY
ALUMINUM



K67 Item No: 11-11654-1050
Price \$7.20 per foot

STRIKER PLATE
FOR FLUSH MOUNT LOCK



ELS
K68 Item No: 11-12215-0001
Price \$11.68 each
Pre-Wired
K69 Item No: 11-12215-0002
Price \$11.68 each

TORQUE MASTER
REVERSIBLE - JANUARY 1987



Silver
K70 Item No: 02-10568-0001
Price \$26.10 each
Black
K71 Item No: 02-10568-0003
Price \$26.10 each

TORQUE MASTER
HOLE PLUG



Black
K72 Item No: 20-12754-0001
Price \$3.40 each
Gold
K73 Item No: 20-12754-0002
Price \$2.26 each
Silver
K74 Item No: 20-12754-0003
Price \$2.26 each

VINYL CONTACT
PLATE RETAINER
FOR ELS



K75 Item No: 20-10619-1079
Price \$2.26 per foot



